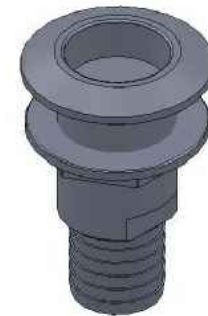
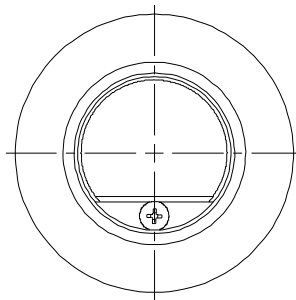
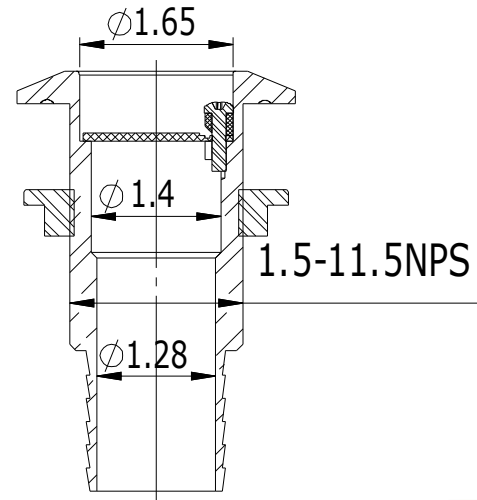


SECTION A-A



Whitecap			
Units	Inches	View	
P/N	6557		20180718