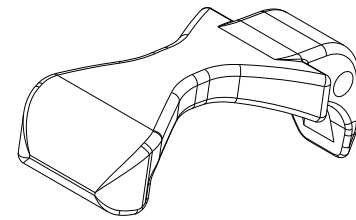
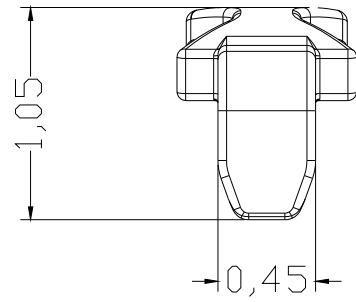
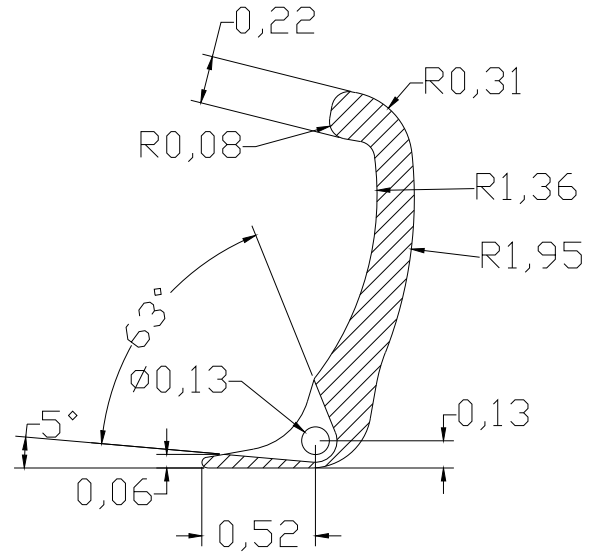
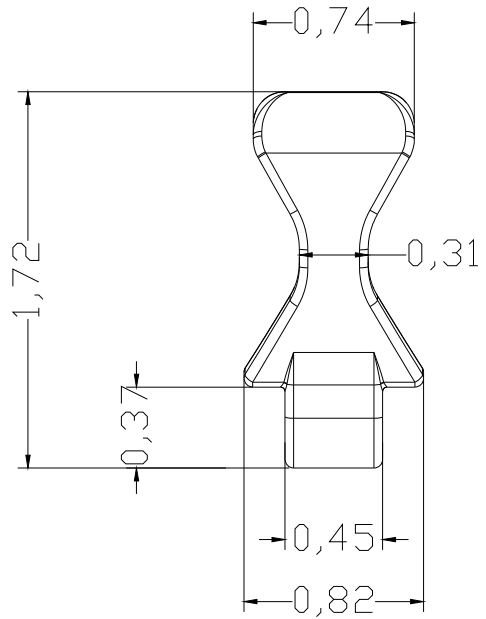


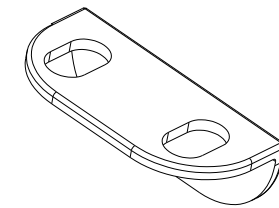
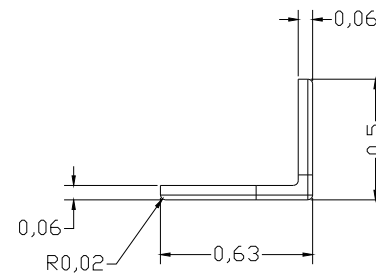
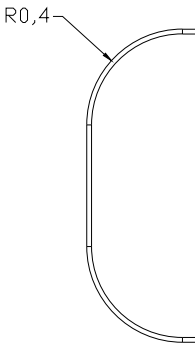
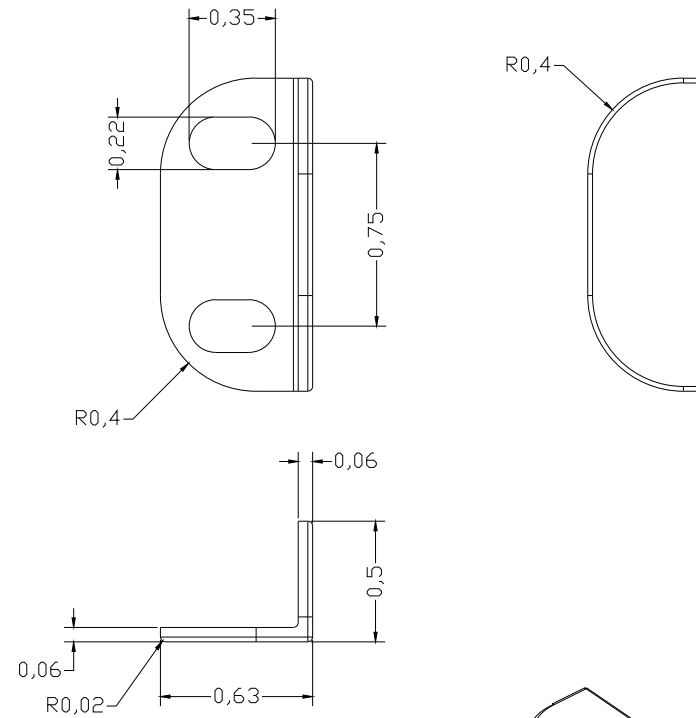
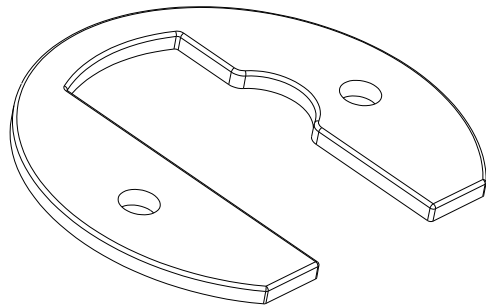
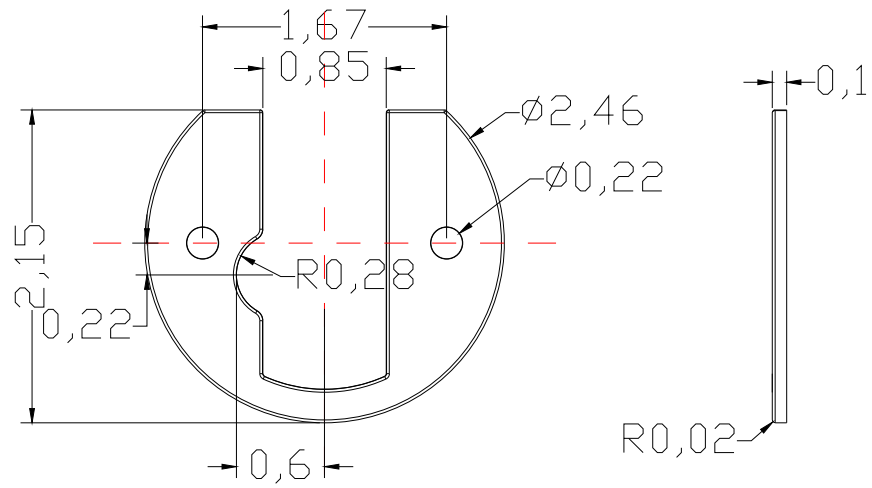
Whitecap

Units	INCHS	View	
P/N	6095-A		20171218



Whitecap

Units	INCHS	View	
P/N	6095-B		20171218



Whitecap

Units	INCHS	View	
P/N	6095-C		20171218