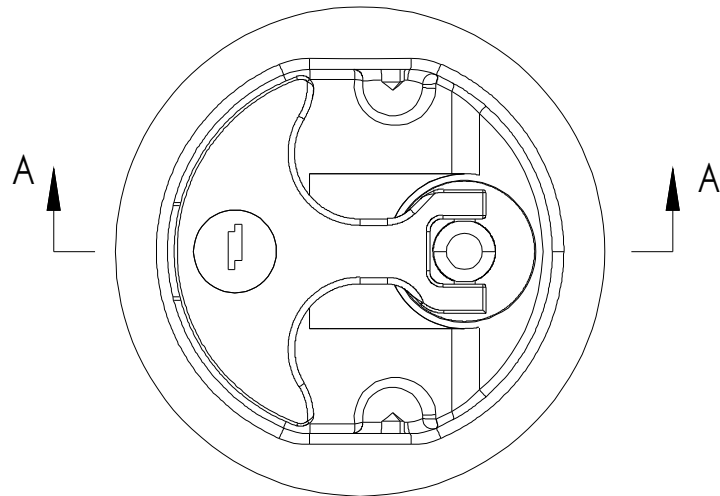
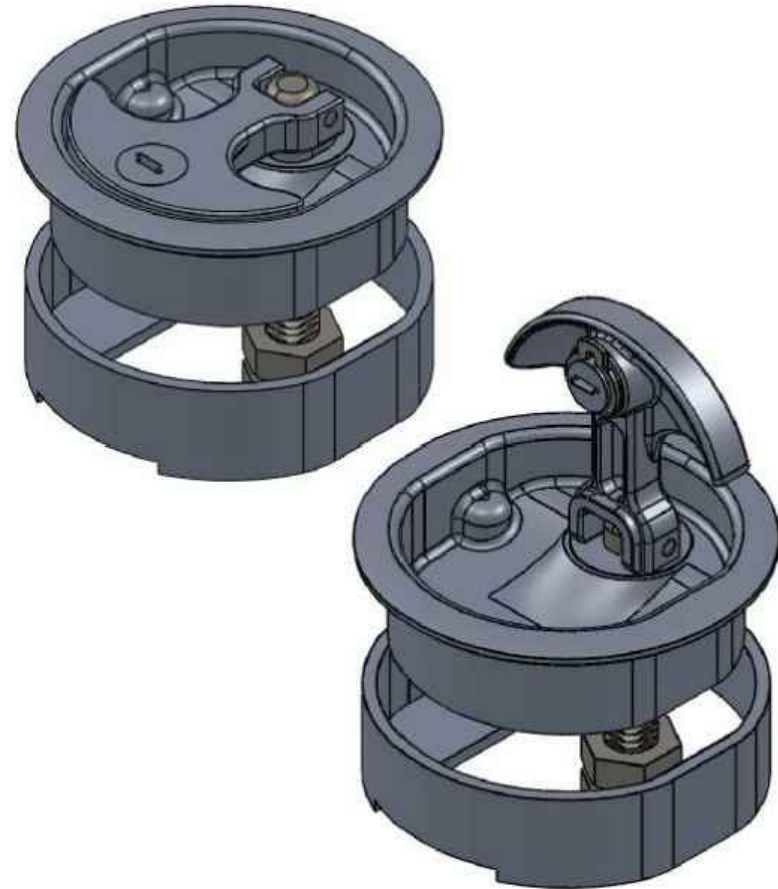
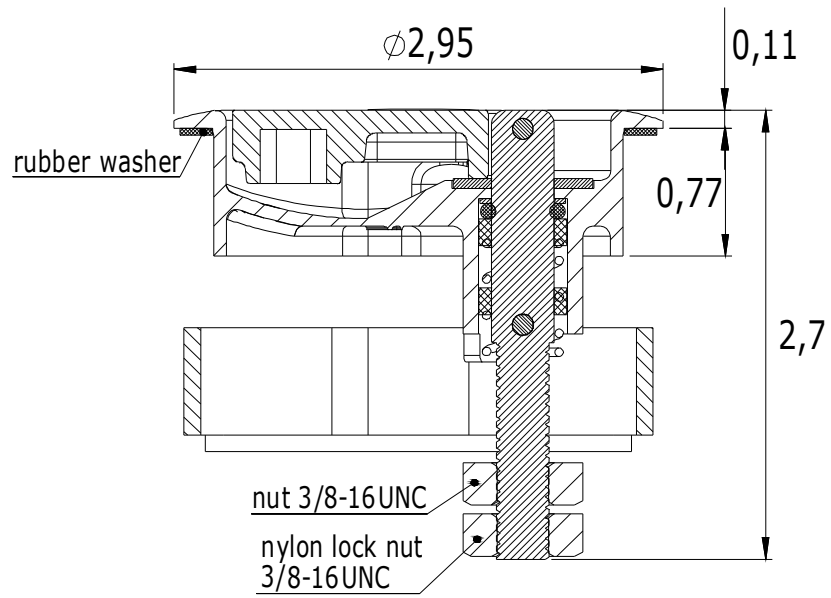
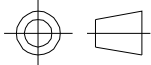


SECTION A-A



Whitecap

| Units | Inches | View |  |
|-------|--------|------|---|
| P/N | S-8236 | | 20181003 |