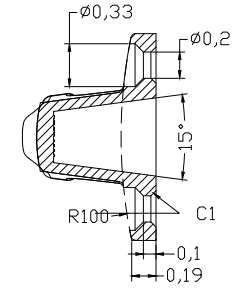
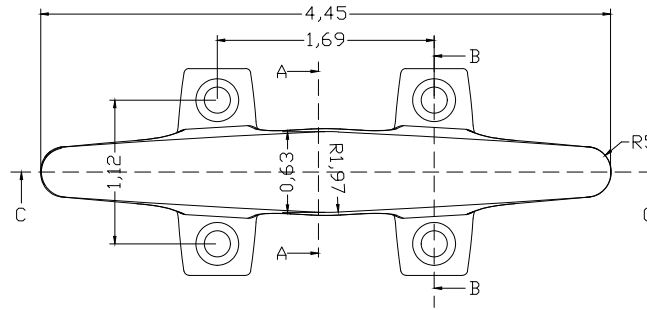
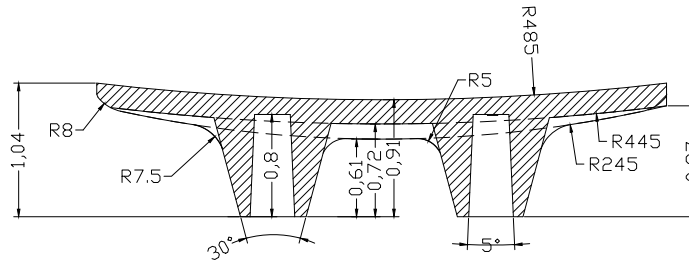


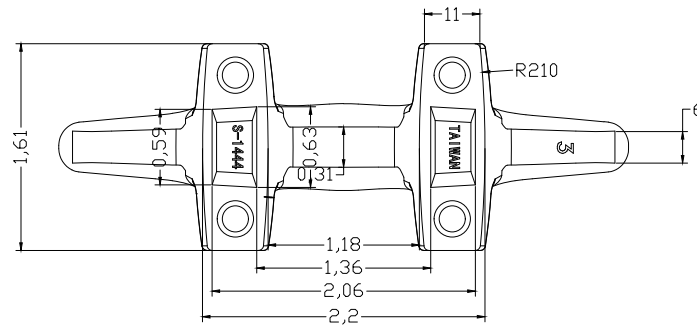
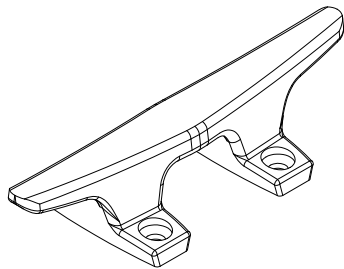
SECTION A-A



SECTION B-B



SECTION C-C



Whitecap

Units	INCHES	View	
P/N	S-1444		20160927